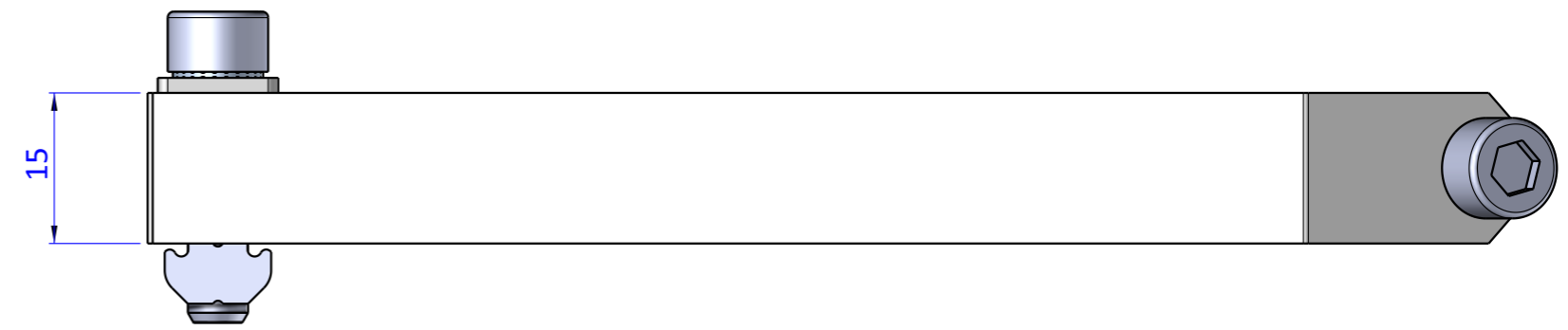
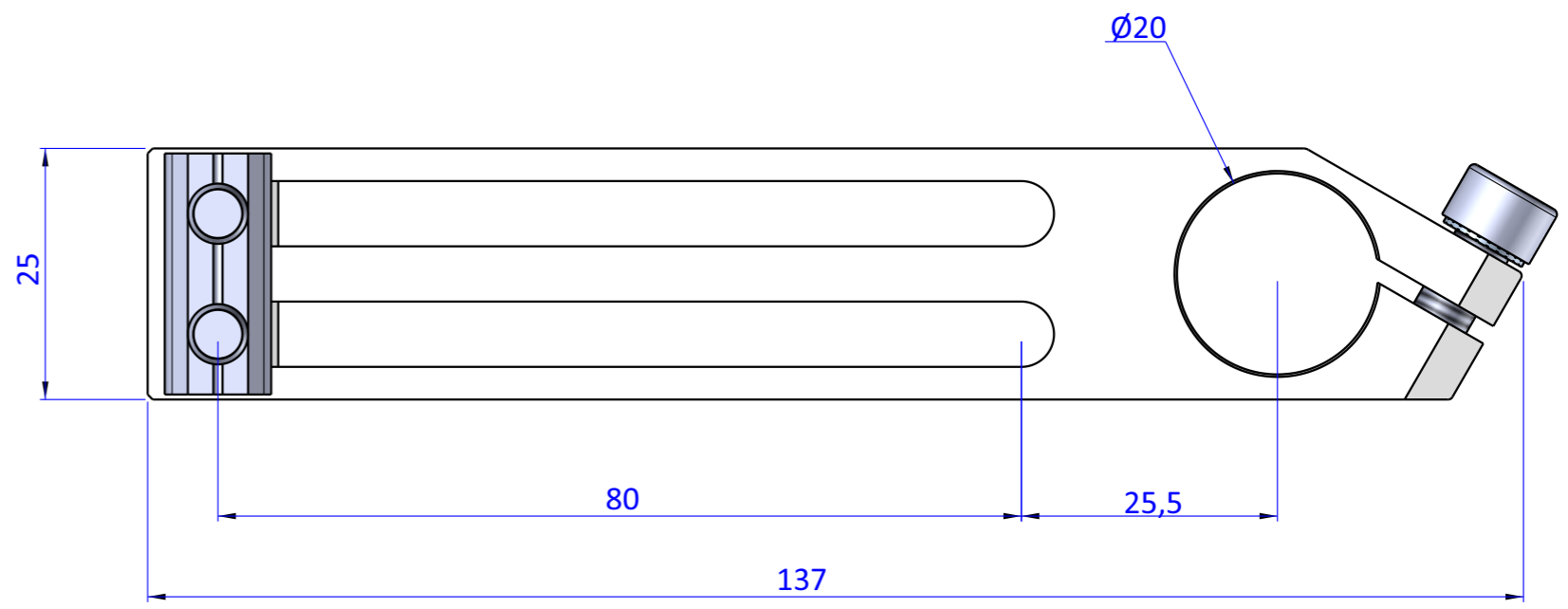
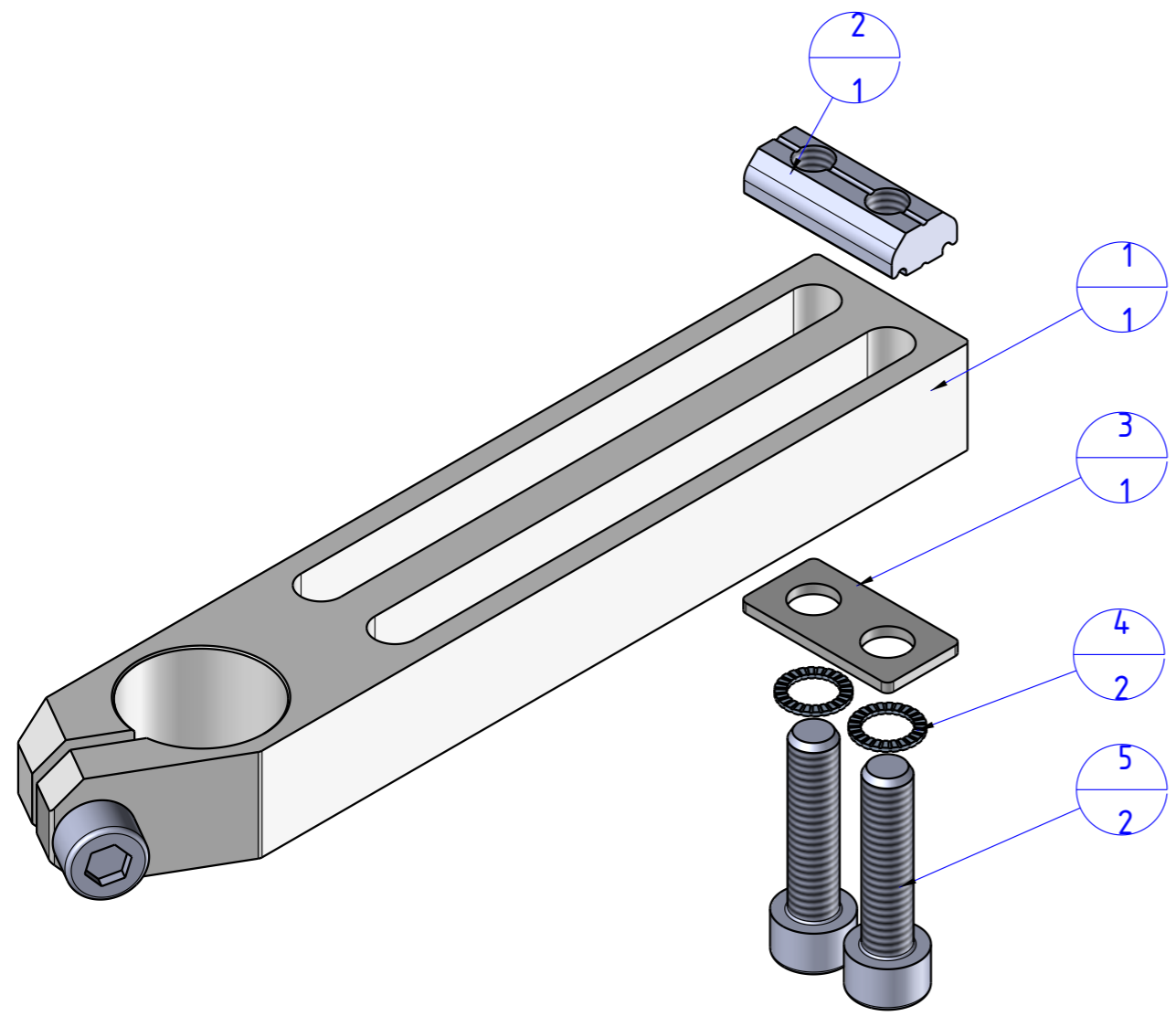



THE PROPERTY OF THE DRAWING IS ESTABLISHED BY LAW. IT IS FORBIDDEN TO PRODUCE OR SHOW IT TO THIRD PART. WITHOUT A WRITTEN AGREEMENT.

Item	Name	Q.ty
1	CA.WSL.2080.VU	1
2	CA.GWP.6.12	1
3	R.06.12	1
4	R.6.SCH	2
5	V.TCE6x25	2



Format A3  
UNI 936-76

 <b>FPS</b> FPSERVICES AUTOMATION		DESIGNED FROM		REVIEW
		FPS Automation		A
GENERAL TOLERANCE		DATE	WEIGHT	
UNI - ISO 2768		01/03/2021	0,098kg	
CLASSE f		CODE		
CA.WSL.2080.VU.X		CA.WSL.2080.VU.X		